

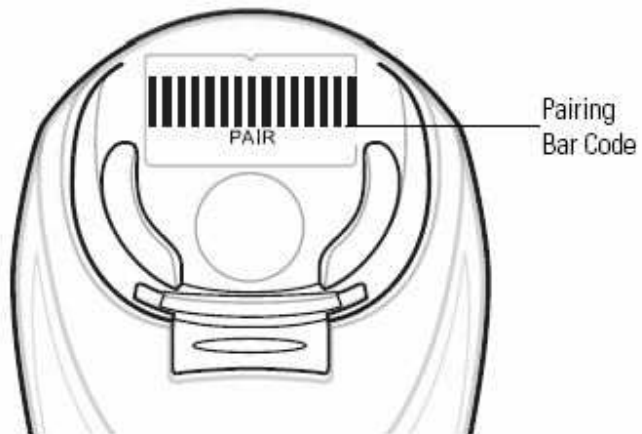


1

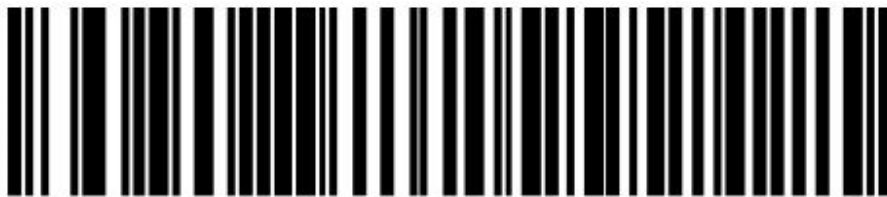
Set Factory Defaults

Scan the pairing barcode located on the cradle

Sample: Scan pairing barcode on actual cradle



2



3

***HID Keyboard Emulation**



4

Scan Options



5

<PREFIX> <DATA> <SUFFIX>



6

Scan Prefix



7

1



8

0



3

9



6

10



11

Enter



12

Scan Suffix



13

Enter



14

**Do Not Beep After Good Decode
(Disable)**